



Glow-worm

Installation

Climapro₂ RF





INTRODUCTION

1 Instructions guidance

1.1 Product documentation

The instructions are an integral part of the Climapro₂ RF and must be handed to the user on completion of the installation in order to comply with the current regulation.

- Carefully read the manual to enable safe installation, use and servicing. No liability can be accepted in the event of damage for not complying with the guidance in this instruction manual.

1.2 Associated documents

- User instructions
- User quick start guide
- Guarantee booklet with user precautions
- Installer manual

1.3 Explanation of symbols



DANGER: Risk of electric shock.



ATTENTION: Risk of damage to Climapro₂ RF or to its vicinity.



IMPORTANT: Useful information.

2 Climapro₂ RF description

2.1 Regulation and statutory requirements

CE Mark

The CE mark indicates that the units described in this manual are in compliance with the following directives:

- European Directive Num. 2004-108 of the European Parliament and the Council regarding electromagnetic compatibility
- European Directive Num. 2006-95 of the European Parliament and the Council regarding low voltage
- Directive regarding telecommunications equipment (Directive R & TTE 99/5/ EEC of the Council of the European Community)

3 Safety instructions and regulations

3.1 Safety instructions

All work inside Climapro₂ RF must be carried out by a qualified professional or the Glow-worm after-sales service.

Climapro₂ RF must only be installed by a qualified professional who is responsible for compliance with the standards and regulations in force.

Respect the basic safety instructions:

- Shut down the appliance.
- Disconnect the appliance from the power supply.
- When work on the room thermostat is completed, perform an operational test and check for safety.

3.2 Regulations

During the installation and operation of the room thermostat, the decrees, directives, technical regulations, standards and clauses hereafter must be complied with in the versions that are currently in force.

4 Recycling



The recycling of the packaging must be carried out by the qualified professional who installed the room thermostat.

4.1 Climapro₂ RF

Most of the appliance is made of recyclable materials.



This symbol indicates that this unit must not be disposed of with household waste. It should be selectively collected for energy recovery, reuse or recycling.

- Take the unit to an appropriate collection point for processing, energy recovery and recycling of waste.
-



By complying with this directive, you will contribute to the preservation of natural resources and the protection of human health.

4.2 Packaging

We recommend that you recycle the packaging of Climapro₂ RF in a responsible fashion.

- Sort the waste in order to separate those elements which can be recycled (cardboard, plastics) and those which cannot be recycled.
- Dispose of the waste in accordance with existing regulations.

INSTALLATION

5 Placement

5.1 Room thermostat

- Explain the following requirements to the user of Climapro₂ RF.

Install the Climapro₂ RF:

- in a room protected from frost,
- on an interior wall of the reference room in the home,
- at approximately 1.50 metres from the floor (according to the regulations in force).

Do not install Climapro₂ RF:

- near sources of heat, such as radiators, chimney walls, televisions or solar radiation,
- above a cooker that is likely to give off steam and grease,
- on cold walls,
- between units or behind curtains or other objects that might disturb temperature recording for the ambient air in the room,
- in a room that is heavily loaded with dust or where the atmosphere is corrosive,
- near air currents that may come from doors or windows.

5.2 Radio Receiver



Climapro₂ RF is suitable for installation on Glow-worm appliances with an external ebus connection.



Not all appliances are able to accept the RF receiver. In such cases, the receiver can be fitted to a wall.

Inside the appliance:

- Install the radio receiver in corresponding location in the appliance (see the appliance installation manual).

Outside the appliance:

- Install the radio receiver near the appliance, approximately 1.8 m above the ground.
- Keep the radio receiver away from metallic parts (cables, circuit board, metal surfaces) in order to avoid interference.

5.3 Scope of delivery

This kit contains the following:

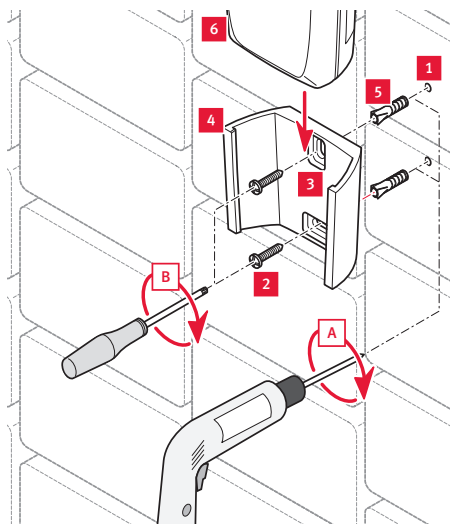
- Climapro₂ RF Programmable room thermostat
- Wall support for the room thermostat
- Radio Receiver
- Packet containing 2 fixing screws with rawlplugs
- 4 "AA LR6 « alkaline batteries
- EBUS cable for radio receiver

INSTALLATION

6 Fixing

6.1 Fixing the room thermostat

- Determine the installation location. See the «Installation selection» chapter.



Key

- 1 Drilled holes
- 2 Screws
- 3 Attachment holes
- 4 Room thermostat support
- 5 Plugs
- 6 Room thermostat

- Position the room thermostat support (4) on a wall.
- Drill (A) the screw holes (1) in accordance with 2 mounting holes (3) in the wall support (4).
- Insert the plugs (5) in the holes (1).
- Secure (B) the room thermostat support (4) with screws (2).
- Slide the room thermostat (6) into its support (4).

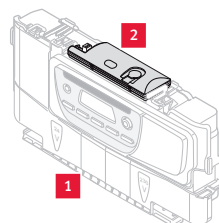
EN

6.2 Installing the radio receiver



The receiver should be installed outside the appliance if the appliance control box does not have a location for the radio receiver.

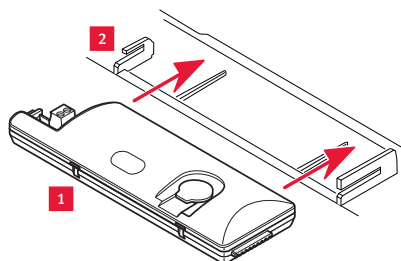
Case n°1 - radio receiver on control box unit



Key

- 1 Appliance control box
- 2 Radio receiver

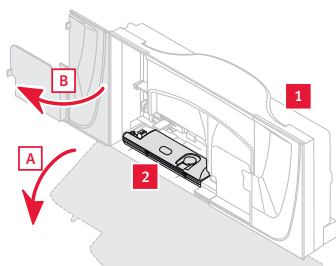
- Locate the radio receiver installation point in the appliance.
- Slide the radio receiver into the notches.



Key

- 1 Radio receiver
- 2 Location of radio receiver

Case n°2 - radio receiver in the appliance control box



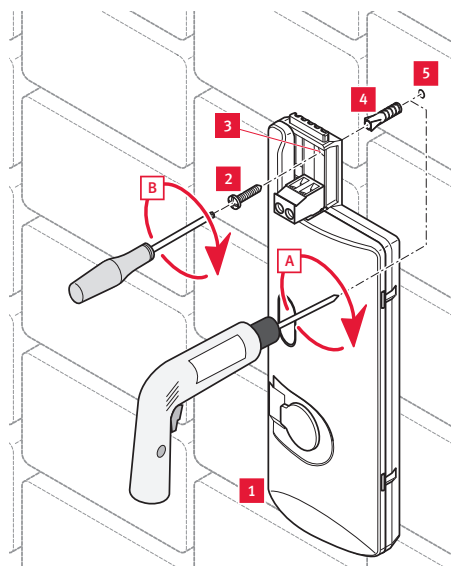
- Key**
 1 Electrical unit
 2 Radio receiver

Case n°3 - radio receiver outside appliance

- Determine the installation location.
- See the «Installation selection» chapter.



Check correct operation before permanently installing the receiver.



- Key**
 1 Radio receiver
 2 Attachment screws
 3 Attachment holes
 4 Plugs
 5 Holes
- Position the radio receiver (1) on a wall.
 - Drill (A) the screw holes (5) according to the unit's attachment hole (3) or use the sticky pad if provided.
 - Insert the plug (4) in the hole (5).
 - Attach (B) the radio receiver with the attachment screw (2).
 - Respect the current electrical installation standards when connecting the EBUS cable between the radio receiver and the appliance.

7 Electrical connections



The electrical connection of the room thermostat must be carried out by a qualified professional.



The radio receiver must be connected via an EBUS connector.

7.1 Main board



- Key**
 1 Connector
 2 Electrical wires
 3 Insulation

When you connect electrical wires on a connector on the electronic board:

INSTALLATION

- Keep a distance of 30 mm maximum between the connector (1) and the insulation (3).

7.2 Connecting the radio receiver

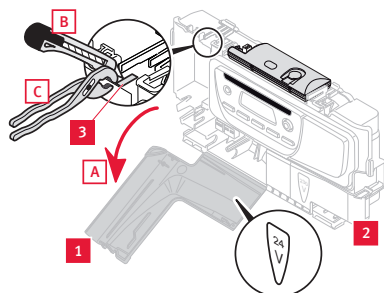


The location of the EBUS terminal block varies according to the heating system. It is always identified by having «BUS» written on it.

- Use the EBUS connection cable provided.
- Cut the EBUS connection cable to the length necessary for your installation.

Case n°1 - radio receiver on control box

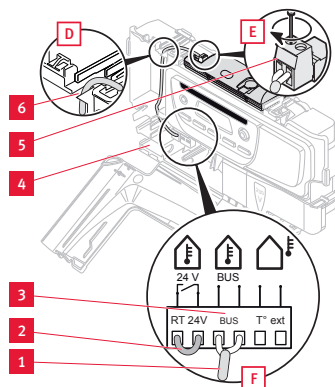
- Connect the EBUS cable, following the order of operations from (A) to (F).



Key

- 1 Access for 24 V connection
- 2 Control box unit
- 3 Pre-cut part of control box unit

- Open (A) the access for the 24 V connection (1).
- Cut (B) the pre-cut part (3) of the control box unit (2).
- Remove (C) the pre-cut part of the control box unit (2).

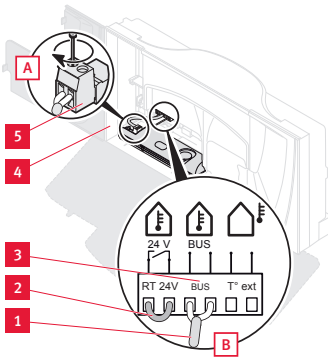


Key

- 1 EBUS connection cable
- 2 Link for the connection terminal block on the room thermostat
- 3 EBUS terminal block for the main board
- 4 Control box unit
- 5 Connector for the radio receiver
- 6 Pre-cut part of control box unit

- Do not remove the link from the terminal block (2) for connecting the main board's room thermostat.
- Pass (D) the EBUS cable (1) through the cable passage created by removing the pre-cut part (6).
- Connect (E and F) the EBUS cable (1) to the radio receiver's connector (5) and to the EBUS terminal block on the main board (3).

Case n°2 - radio receiver in the control box

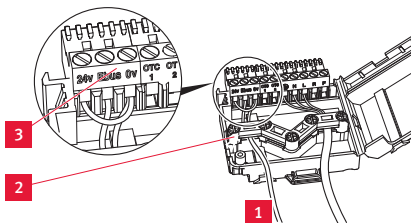


Key

- 1 EBUS connection cable
- 2 Link for the connection terminal block on the room thermostat
- 3 EBUS terminal block for the main board
- 4 Control box unit
- 5 Connector for the radio receiver

- Do not remove the link from the terminal block (2) for connecting the main board's room thermostat.
- Connect (A and B) the EBUS cable (1) to the radio receiver connector (5) and the EBUS terminal on the heating system's motherboard (3). Polarity is not important.

Case n°3 - radio receiver outside the appliance



Key

- 1 Ebus and 0V connection
- 2 Cable strain relief
- 3 Connector for the radio receiver

- Do not remove the link from the terminal block for connecting the main board's room thermostat.
- Connect the EBUS cable to the radio receiver connector and the EBUS and 0V connection in the electrical cartridge. Polarity is not important.

8 Commissioning

8.1 Appliances included in the installation

Switch on the appliances that make up the installation (see the installation manuals).

8.2 Room thermostat

- Remove the insulating strip located in the battery compartment.

8.3 Pairing (detection)


8.3.1 The room thermostat delivered with a radio receiver

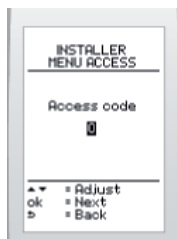
The pairing between the room thermostat and its radio receiver requires no action on your part. This is done at the factory.

8.3.2 The radio receiver with wireless outdoor sensor

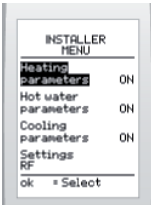

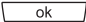


The radio receiver can be paired with the wireless outdoor sensor (see the outdoor sensor installation manual).

9 Access to the installer menu

- Press button  for 7 seconds.
- Enter the installer access code 96.



10 Description of the installer menu

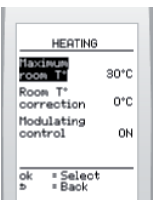
Menu	Browsing
	Use the buttons: 
	Select with the button: 
	Press the button: -  to return to the professional menu screen, -  for 3 seconds to return to the user's main screen.

10.1 Functions




Showing, enabling and disabling of functions is reflected in the user menu.

10.1.1 Heating function

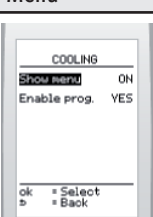
Menu	This menu allows you to:
	Set the maximum adjustable room temperature
	Correct the measurement of the room temperature.
	To enable or disable the modulating setting for the heating flow temperature*.

(*) automatic adjustment of the heating flow temperature


10.1.2 Hot water function

Menu	This menu allows you to:
	Show or hide the domestic hot water function in the end user menu.
	To set the maximum hot water temperature.
	Enable or disable the domestic hot water heating program.


10.1.3 Cooling function


Menu	This menu allows you to:
	Show or hide the cooling function in the end user menu.
	Enable or disable the cooling program.

10.2 Settings

Menu	This menu allows you to:
	To set the outdoor sensor: <ul style="list-style-type: none"> - adjustment of the measured outside temperature, - selection of heating curve (consult the outdoor sensor installation manual).
	Adjust the date and time
	Choose the language
	Indicate the phone number that will appear in the After-sales Service messages.
	Display information: zone, type and version of software for Climapro ₂ RF.

10.3 Radio

Menu	This menu allows you to:
	Connection between radio receiver and the thermostat.
	Test the quality of the radio signal (thermostat and wireless outdoor sensor).

- To exit the installer menu press button  for 3 seconds or until the main screen is displayed.

11 Control / Commissioning

Once the appliance is installed, check the operation:

- Switch on the appliance according to the indications of the operating instructions and check the operation.
- Check the whole control and safety devices, their setting and their operating state.

12 User information

At the end of the installation:

- explain the operation of the appliance and its safety devices to the user, if necessary provide a demonstration and answer any questions;
- give the user all the required documentation,
- fill in the documents where necessary;
- advise the user of the precautions necessary to prevent damage to the system, appliance and the building;
- remind the user to service the appliance annually.

MAINTENANCE

13 Fault diagnosis

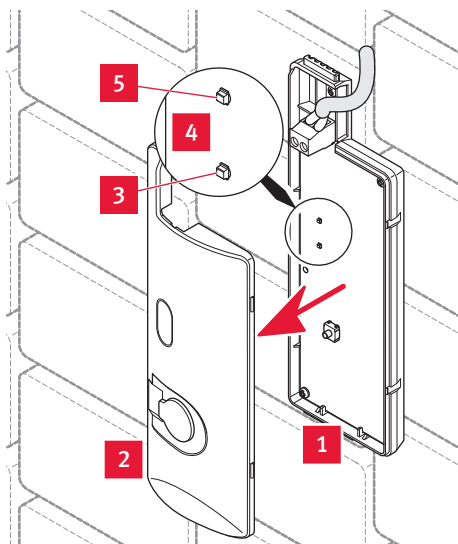


In case of loss of signal between the room thermostat and radio receiver (eg. : low battery), the heating system uses its own function settings.



Faults described in this chapter should be carried out by a qualified engineer and if needed by the After Sales Service.

You will find a list of certain error in the user manual.



Legend

- 1 Radio receiver
- 2 Radio receiver cover
- 3 Red LED
- 4 Radio receiver circuit board
- 5 Green LED

In the event of a problem:

- Check the error messages in the Climapro₂ RF display zone on the main screen.
- Remove the receiver radio (1) cover (2) in order to check the 2 LED.
- Check the status of the 2 LED (green (5) and red (3) red) installed in the radio receiver's circuit board (4).

Radio receiver	Cause	Solution
Green LED off Red LED off	- Failure of electrical current - Defective EBUS connection cable	<ul style="list-style-type: none"> • Ensure that there is no interruption to the electricity network and that the appliance is properly connected and turned on. • Check the electrical connection between the radio receiver and the appliance.
Red LED lit	- Generator failure - Radio signal transmission failure - EBUS communication failure - Defective radio receiver or transmitter - Defective EBUS connection cable	<ul style="list-style-type: none"> • Check that: <ul style="list-style-type: none"> - the generator operating status is correct. - the room thermostat's batteries are correctly installed in their compartment.. - the battery polarity is not reversed. - the batteries are not dead. If so, replace them with new batteries. • Check the electrical connection between the radio receiver and the appliance. • Check the radio communication between the thermostat and the receiver.

TECHNICAL DATA

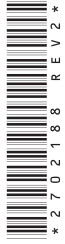
14 Climapro₂ RF

Description	Unit	Climapro ₂ RF
Average range in open air (*)	m	100
Average range within the home (*)	m	25
(*) Depends on the installation's conditions and the electromagnetic environment.		
Room thermostat		
Maximum room temperature. Room temperature authorized in the room where the room thermostat is installed	°C	50
Max. of hot water allowed	°C	65

15 Radio receiver

Description	Unit	Climapro ₂ RF
Average range in open air (*)	m	100
Average range within the home (*)	m	25
(*) Depends on the installation's conditions and the electromagnetic environment.		
Radio receiver		
EBUS power supply	V	24V
Electrical connection cable section	mm ²	2 x 0.75
Max. length of electric connection cables	m	300





Subject to engineering changes

0020094584_02 - 06/11

GLOW-WORM

Nottingham Road,
Belper, Derbyshire.
DE56 1JT

www.glow-worm.co.uk

Because of our constant endeavour for improvement, details may vary slightly from those shown in these instructions.

Glow•worm

