

Energy LPG combi boiler

Gas that goes the extra mile

Quiet, compact and discreet, our highly efficient Energy LPG 30kW combi boiler comes with a **7 year guarantee**, along with **£30 cash back** and **30 credits**.*

A reliable source of heat and hot water that is also easy to install, maintain and service. It will reduce running costs for your customers and is ultra-quiet to increase comfort in the home.



Features and benefits

- Supplied with top flue for simple, hassle-free installation
- Ultra-quiet operation
- ErP A+ rated* – reduces running costs
- Simple and easy to install with front access to all components – same as other Energy models
- Dedicated LPG model – factory set with no adjustments
- Cupboard fit – provides great siting options
- High efficiency Grundfos modulating pump
- High quality automotive grade aluminium heat exchanger
- Warm start function – instantaneous hot water
- Compatible with MiGo smart control

*When fitted with Glow-worm's intuitive controls

clubenergy

Energy LPG is supported by **Club Energy** – the award winning installer loyalty programme from Glow-worm. By registering on Club Energy you can benefit from:



Plumbing Toolbox app



Business development



Cash back and catalogue credits



Free training



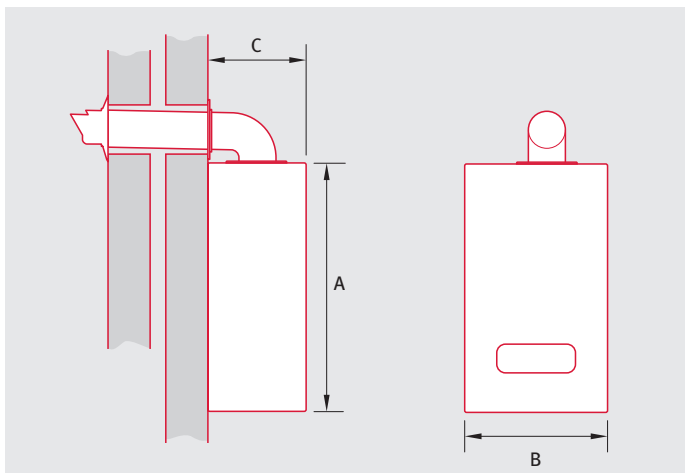
Free Gas Safe registration



Free Benchmark certification

To find out more about how you can benefit from Club Energy or to join free today visit www.clubenergy.co.uk or call 0845 275 7018

Technical data	Unit of measure	Energy2 LPG top flue pack
Article number		0010028635
Boiler dimensions (HxWxD)	mm	700 x 390 x 280
Side clearance	mm	5
Top clearance	mm	150
Bottom clearance	mm	150
Front clearance (can be reduced to 5mm if fitted behind removable door or panel)	mm	600
Nominal heat output range at 50/30°C (condensing mode)	kW	8 - 26.5
Nominal heat output range at 80/60°C (non-condensing mode)	kW	7.5 - 25
Flow temperature range	°C	10 - 80
Modulation (max/min)	1 : X	1:3.5
Maximum heat output for water generation	kW	30
Lowest water pressure to operate boiler	bar	0.3
Lowest water flow for operation	l/min	1.9
Domestic hot water flow rate (at DT = Δ35K)	l/min	12.4
Hot water output temperature range	°C	35-60 °
Gas inlet connection (pipe size)	mm	15
Heating flow and return connections (pipe size)	mm	22
Hot and cold water connections (pipe size)	mm	15
Heat exchanger material	Stainless/Aluminium	Aluminium
Filling loop supplied		Yes
Factory fitted timer		No
Boiler lift weight (dry boiler)	kg	33
Spacer frame available	Yes	0020193660
NOx (En 15502-2-1)	mg/kWh	35
ErP efficiency	%	95
ErP decibel rating (sound power)	dBa	51
PCDB seasonal efficiency (SAP 2009/2012)	%	91.0
PCDB seasonal efficiency (SAP 2005)	%	92.5
Maximum horizontal flue length 60/100	m	1
Maximum vertical flue length 60/100	m	-
Maximum horizontal flue length 80/125	m	-
Maximum vertical flue length 80/125	m	-
Rear flue option		No
Permissible flue classifications		C13



Energy LPG combi dimensions

Boiler dimensions		
Height (A)	Width (B)	Depth (C)
700mm	390mm	280mm

Energy LPG combi clearances

Boiler clearances			
Top	Side	Bottom	Front
150mm	0.5mm*	150mm	600mm**

* See manual for clearance if side panels are to be removed to assist future service and maintenance

** 5mm if removable panel or door