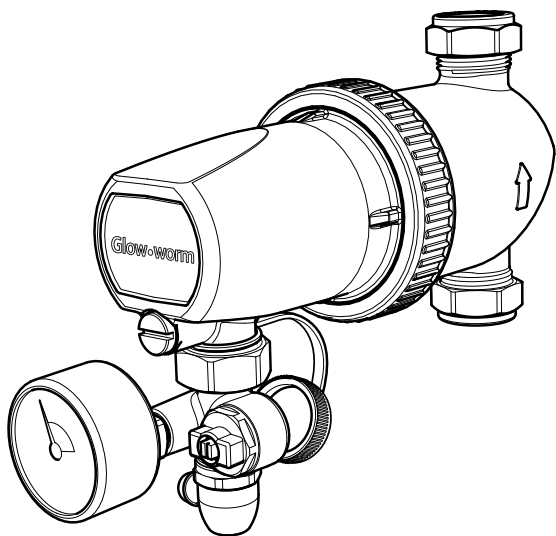
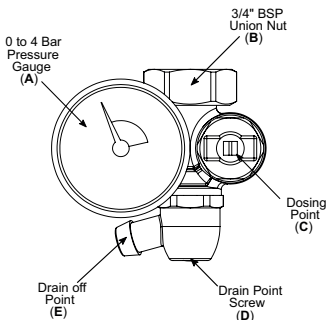


Multifunction Filter Accessory



Multifunction Filter Accessory

Pressure gauge



A - Pressure Gauge: The pressure Gauge is rated to Max 4Bar, if over pressure is encountered Drain point (E) can be opened to allow water safely out of the system via a hose, to a bucket or drain. This can be operated with a standard radiator bleed key.

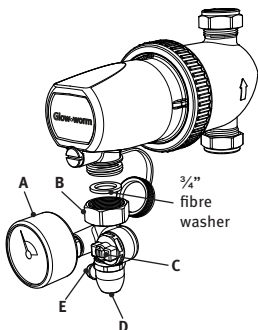
B - 3/4" BSP Union : This nut is used connect the device to the Glow-worm Magnetic Filter, it could also be fitted to an outside tap to check water pressure (max pressure 4 Bar). Be sure to use a 3/4" fibre washer (Supplied)

C - Dosing Point : This can be used to dose the system with inhibitor or system cleaner etc. It is identical to a radiator bleed point.

D - Drain Point Screw : As with the dosing point this can be operated with a standard radiator bleed key.

E - Drain off point : A hose can be connected to this to allow system water to a drain or bucket.

Power System Filter fitting



WARNING! - Always use the correct safety equipment when dealing with high water pressures and hot water. Safety Glasses must be worn when operating this device. Very hot (85 Deg), high pressure system water could escape causing scalding if not operated correctly.

Intended as a temporary fitting to aid in the commissioning of boilers without power connected.

For T & C's, please visit <https://www.vaillant.co.uk/about-vaillant/terms-and-conditions/>

Glow-worm
Nottingham Road
Belper
Derbyshire
DE56 1JT

 @glow_wormclub
 @GlowWormHeating
 glow-worm
 glowworm_uk

Glow-worm