

MicraCom Combi Boiler

The super compact MicraCom combi boiler is our smallest and lightest Glow-worm boiler in the range, offering great outputs for its size and flexibility for installation. The MicraCom has the high quality components you expect from Glow-worm, and has been designed with easy maintenance in mind. The Glow-worm MicraCom is a great choice for ensuring essential and efficient comfort levels of heating and hot water.



AVAILABLE AT 



5 year guarantee when registered on Club Energy



Earn credits when installs are registered through Club Energy



Easy cupboard fit solution



Compatible with our Power System Filter



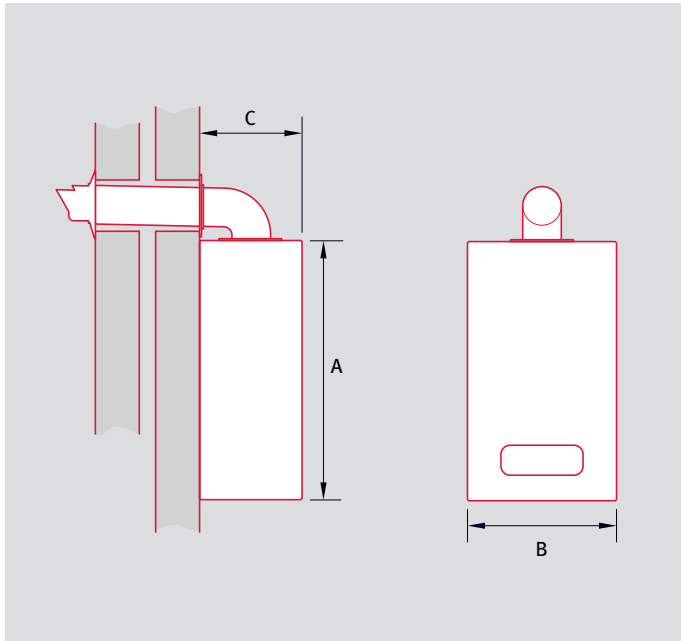
Quiet in operation

Features and benefits

- Easy cupboard fit solution, even when routing the pipework behind the appliance and using an optional spacer frame
- Superior-quality parts last longer, are easier to maintain, and help reduce energy bills
- MicraCom is one of the smallest boilers available on the market with dimensions of 626mm x 400mm x 270mm
- Modern LCD display offers excellent clarity, even in dimly lit rooms
- Stainless steel heat exchanger
- Works with Glow-worm's entire range of intelligent controls
- Simple straightforward LPG conversion, if required

MicraCom Combi technical specification

MicraCom Combi dimensions



Boiler dimensions

Height (A)	Width (B)	Depth (C)
626mm	400mm	270mm

MicraCom Combi clearances



Boiler clearances

Top	Side	Bottom	Front
205mm	5mm	180mm	500mm**

**5mm if removable panel or door

Boiler clearances	Unit of measure	MicraCom 24	MicraCom 28
General			
Boiler type		Combi	Combi
Model output	kW	24	28
Article number		0010026136	0010026137
Gas Council number		47-019-58	47-019-59
Performance			
NOx (En 15502-2-1)	mg/kWh	27	32
ErP efficiency	%	92	93
ErP decibel rating (sound power)	dB(A)	50	53
ErP efficiency Heating/DHW	A+++ to D / A+ to F	A/A	A/A
Heating and hot water			
Hot water flow rate (ΔT 35°C)	l/min	9.9	11.5
Lift weight	kg	25.6	26.5
Max flue length - horizontal/vertical (60/100)	m	9/10	9/10
Max flue length - horizontal/vertical (80/125)	m	25/25	25/25